

Installation of 6 & 8 metre slip rails

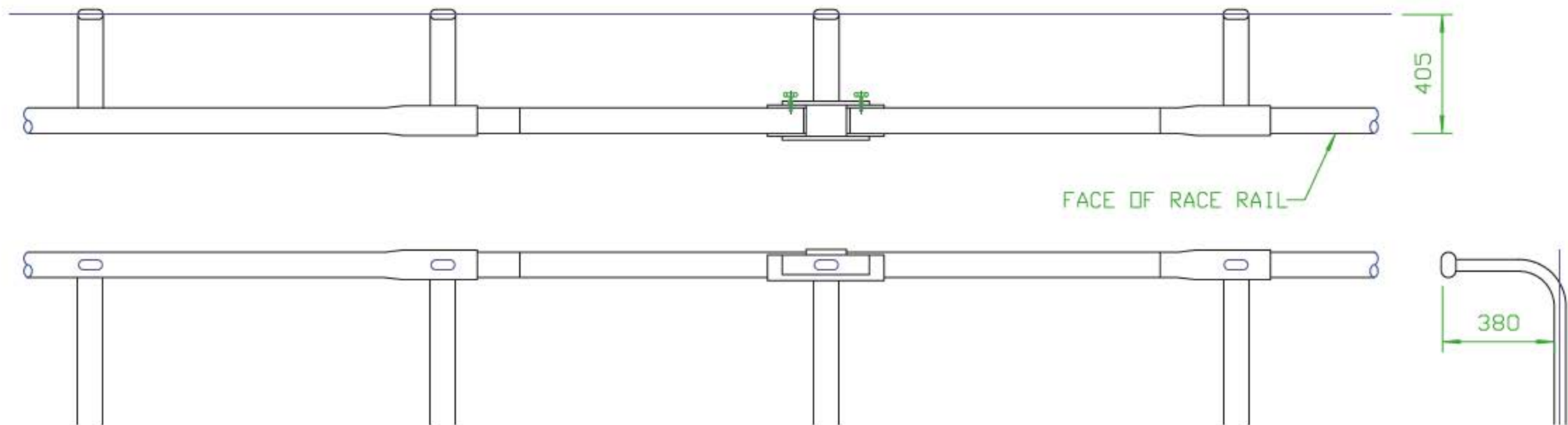
Oval and round

 SIZE
 Posts 108 x 50, Rails 108 x 50

 PAGE NO.
 133

 CODE
 INS/SR/6-8M

Nov 05

DURALOCK
 PERFORMANCE FENCING


1. Lay out all parts of race rail slip rail along race rail line.
2. Mark out.
3. Drive in left hand and right hand putlocks. Assemble swan-neck posts and receiving ends on to running rail.
4. Centre support swan-neck posts. (either sunken socket or temporary post with spike ground fixing).

Note.

Establish slip rail position first, then install running rail. Make adjustment to running rail to suit distance to next end.